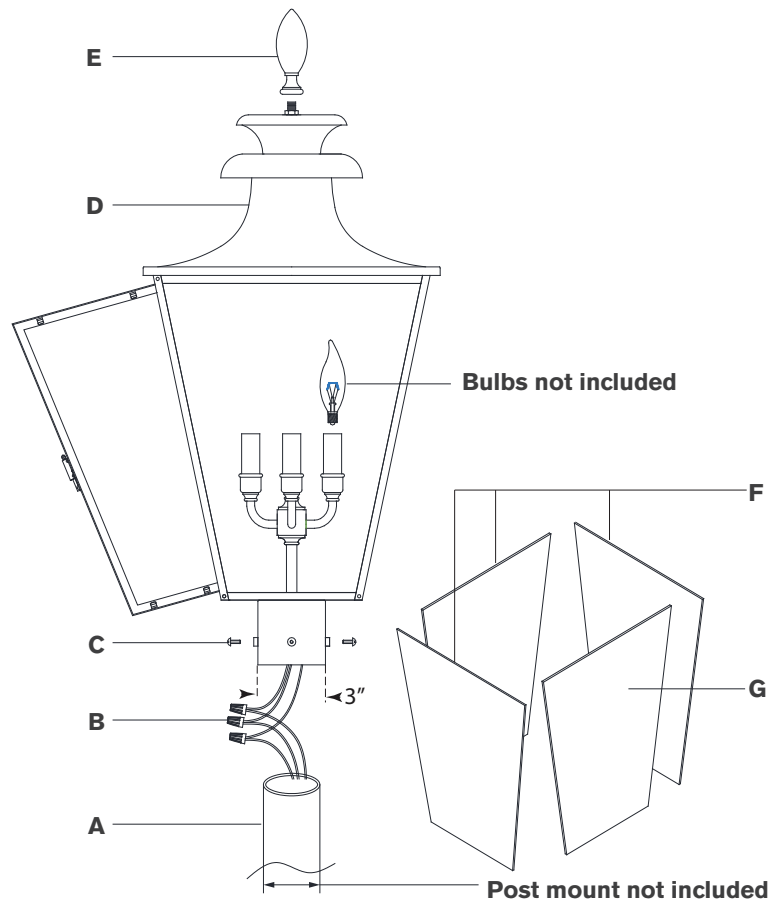


ASSEMBLY INSTRUCTIONS



Albermarle Post Light

Item # CHO 7414

NOTICE:

This light fixture should be installed in accordance with all applicable, local installation codes, and by a person familiar with the construction and operation of it, as well as the hazards involved. Inspect item and contents carefully. If any damage or defect is found, do not install. Retain all packaging material until installation is complete and approved.

TOOLS REQUIRED (NOT INCLUDED):

Phillips Screwdriver

Slotted Screwdriver

1. Carefully remove all parts from the box. Place on a clean, soft surface.
 2. Thread finial (E) to the top of the fixture (D).
 3. Open the door, then install glass panels (F) to fixture (D) and secure by bending the metal tabs.
 4. Install glass panel (G) to the door and secure by bending the metal tabs.
 5. Install light bulbs into the sockets, then close the door.
 6. Connect fixture ground wire (bare copper) to the supply ground wire (usually green or bare copper) using wire nut (B).
- NOTE:** It is imperative that the fixture is grounded.
7. Connect fixture neutral wire (white) to the supply neutral wire (usually white) using wire nut (B).
 8. Connect fixture hot wire (black) to the supply hot wire (usually black) using wire nut (B).
- CAUTION:** Do not reverse the hot and neutral connections.
9. Make sure all wire connections are tight, then carefully tuck into the fixture base.
 10. Install fixture to post (A) and secure with screws (C).

Care Instructions: Clean only with a soft dry cloth or feather duster. Do not use abrasive or chemical agents.